

grazia&co melbourne
1 / 10-14 advantage road
highett, vic, 3190
phone +61 3 9555 5760

grazia&co sydney
12b,, 32 ralph street
alexandria, nsw, 2015
phone +61 2 8914 0350

traffic light



designed by miriam fanning of mim design for grazia&co. released in 2015.

the traffic light is an australian made internal wall light with an ip42 rating. featuring a solid oak base, powder coated surround that can be rotated for light direction and brass internal back plate. fitting comes with the 4 watt led globe and diffuser.

installation by a registered electrician required.

grazia&co[®]

solid timber and powder coat combinations



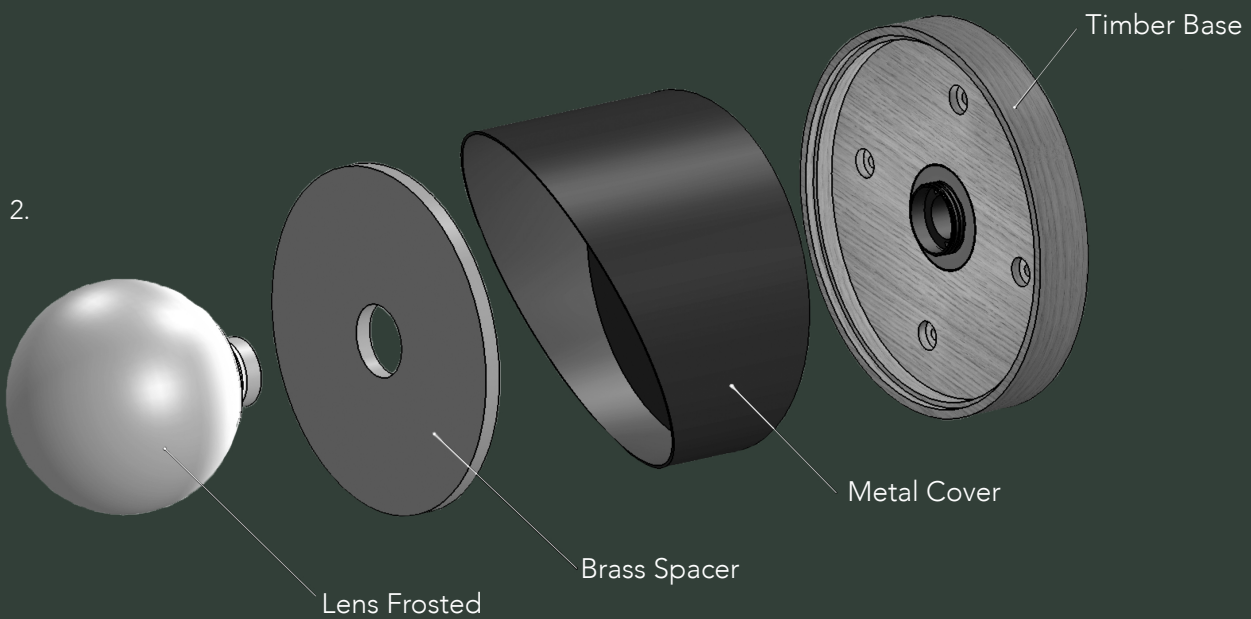
natural american oak and white powder coat surround



american oak with black stain finish and black powder coat surround



technical specifications



1. connect lamp holder flex cable directly to 240V supply (authorised electrician)
2. secure timber base to wall using suitable screws (not supplied)
3. fit metal cover and brass spacer and secure with frosted lens (warm white 4 watts LED globe)
4. replacement bulb available through general retailers

year released
2015

warranty

- i. warranty period of 2 years for the structural integrity of the fitting under 'normal use'. faulty installation claims will not be covered
- ii. chipping and scratches on powder coated metal due to wear and tear are not warranted
- iii. metal pieces that are not specific to outdoor use that are exposed to the elements are not warranted
- iv. raw metals oxidise and tarnish over time and not considered faults of manufacture.
- v. natural materials like solid and veneer timbers can vary in colour, natural figuration and texture. these are not considered faults.
- vi. movement, joint separation, bowing as a result of fluctuations in temperature and any damage caused by direct sunlight are not warranted.
- vii. day to day use and wear and tear that can cause scratches, expansion, colour changes, chips, burns, splits are not warranted.
- viii. painted and stained timber can chip. this is not warranted and considered as wear and tear through use of the item.

to view the full warranty please refer to the link below
<https://graziaandco.com.au/grazia-terms-and-conditions/>

all terms outlined in this document are applicable exclusively to projects and orders that are based in australia.
for warranty claims outside australia, please note that a 12 month warranty period will apply, all claims are to be taken up with the international selling agent

installation by a registered electrician is required

craftmanship: manufactured in australia

materials

frame: solid oak base, brass internal back plate and metal surround with powder coat finish

globe: 4 watt led G9 240 volt dimmable bulb

diffuser: 125dia mm frosted glass

lead time: if not in stock, 8-10 weeks

suitability: indoor use



2
2 year
warranty



finishes & product care

powder coated items

wash as required with warm soapy water using a soft clean cloth. for commercial environments, we recommend regular cleaning. do not pressure wash or steam items that are powder coated. if powder coating chips due to a knock and / or rough treatment this is not covered by warranty. touch up paint can be purchased on request (depending on availability). scratches and chips should be repaired as soon as they appear.

solid timber

grazia&co timber furniture is finished with a clear satin lacquer inclusive of an ultraviolet light protector. this may reduce the harsh effects of direct sunlight although cannot eliminate fading and discolouration completely. therefore, we do not recommend furniture be left in direct sunlight for long periods of time. please ensure furniture is not exposed to excessive quantities of liquids or moisture which may absorb into the timber. this may result in movements of the timber, change in form, cracking or mould. avoid bare metal or sharp pointed edges. a small amount of natural movement of the timber is expected as it adapts to the conditions of your home, due to variations in humidity and temperature.

glass

these hard flat surface materials should be cleaned and or dusted with a soft cloth.

please visit [grazia&co website](#) for further details.