

grazia&co melbourne  
1 / 10-14 advantage road  
highett, vic, 3190  
phone +61 3 9555 5760

grazia&co sydney  
12b, 32 ralph street  
alexandria, nsw, 2015  
phone +61 2 8914 0350

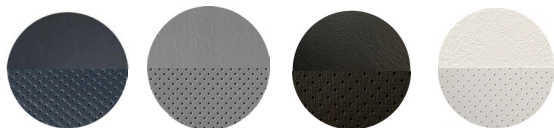
## goldie sunlounger



made in australia, the goldie sunlounger has a marine grade powder coated stainless steel frame with a recycled plastic side table that pulls out on both the left or right side. the fully upholstered cushion top is made with australian reticulated exterior foam and upholstered in exterior grade vinyl or canvas.

grazia&co<sup>®</sup>

## house vinyl



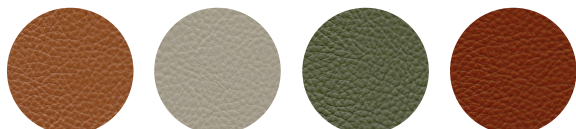
navy  
plain/perf

grey  
plain/perf

black  
plain/perf

off white  
plain/perf

## premium vinyl origin: usa



border

cruising

equator

game

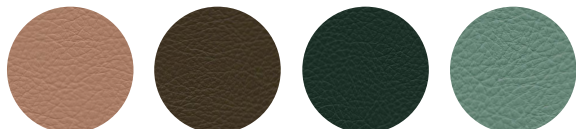


heat

in

meditation

one



play

wonder

global

ozone

## house canvas



tan

tan tweed

charcoal tweed



black

navy

cadet grey

## custom

*custom upholstery and powder coat as specified*

## house powder coat



texture white

texture suede

apo grey



texture black

## premium powder coat



stone

earth

dark bronze



transformer  
grey

mangrove

deep ocean



manor red

deep brunswick  
green

pink sand

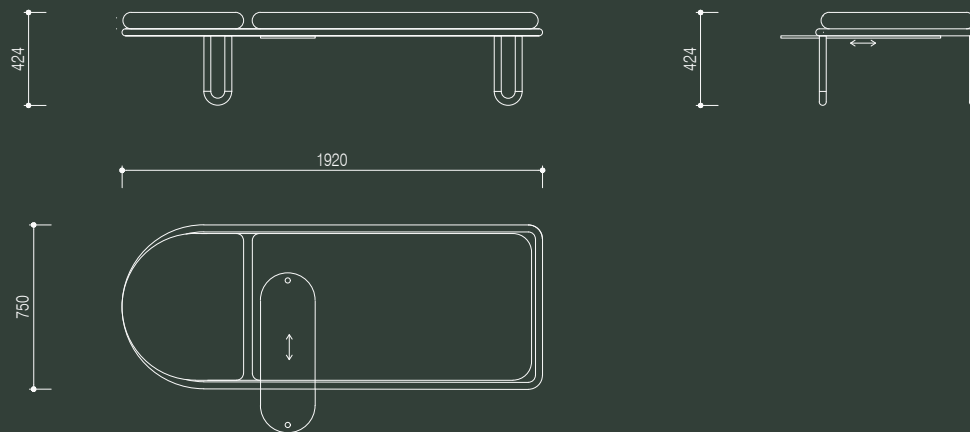


monument

grazia&co<sup>®</sup>

# technical specifications

goldie sunlounger



grazia&co<sup>®</sup>

**design registration no**  
202213556

**year released**  
2022

## warranty - outdoor furniture

- i. warranty period of 3 years for the structural integrity of the frame and 12 months for the cushion and side table, both under 'normal use'
- ii. chipping and scratches on powder coated metal due to wear and tear are not warranted
- iii. general wear and tear or changes in appearance and performance resulting from being exposed to the elements are not warranted.
- iv. fabric that fades or breakdown due to exposure to sunlight, uv or moisture are not warranted.

all terms outlined in this document are applicable exclusively to projects and orders that are based in australia.  
for warranty claims outside australia, please note that a 12 month warranty period will apply, all claims are to be taken up with the international selling agent

to view the full warranty please refer to the link below  
<https://graziaandco.com.au/grazia-terms-and-conditions/>

**craftmanship:** designed and manufactured in australia

## materials

**cushion:** australian reticulated exterior foam with specified upholstery

**frame:** powder coated marine grade stainless steel frame and base of legs

**side table & mattress support:** recycled plastic

**lead time:** approximately 10-12 weeks  
**suitability:** outdoor use



**1-3**  
1-3 year  
warranty

**grazia&co**<sup>®</sup>

## finishes & product care

---

### **powder coated items care**

wash as required with warm soapy water using a soft clean cloth. for marine or commercial environments, we recommend regular cleaning. do not pressure wash or steam items that are powder coated. if powder coating chips due to a knock and / or rough treatment this is not covered by warranty. touch up paint can be purchased on request (depending on availability). scratches and chips should be repaired as soon as they appear.

### **house canvas and vinyl care**

maintaining and care of the upholstery should be done by regular vacuuming to remove dust and dirt. we do not recommend removing the cushion covers. machine washing can cause the covers to shrink. spot cleaning should be done immediately after a spill. the rope on our sun loungers can be cleaned with a damp cloth and mild soap. a soft bristle brush can be used for stubborn marks. always air dry and do not store away wet/damp cushions at any time- they are mildew resistant not mildew proof. while the cushions are made, and are suitable for outdoor use, we recommend you store indoors during the wintertime. alternatively, we recommend investing in our marine grade custom vinyl covers which will further protect your pieces from harsh climate conditions.

suntan lotions and sprays such as insect repellants may discolour the fabric. acid based liquids such as coffee, wine and fruit juice need to be wiped off immediately. the longer a stain or spill remains on the fabric the more difficult it can be to remove. do not use abrasive alcohol based or solvent based cleaners.

first spot clean with mild soap and water. using a sponge to remove the stains, rinse with clean water.

### **custom specified upholstery**

please refer to individual suppliers for information on care and maintenance of fabrics that have been specified by a designer, as these will be outside the standard grazia&co range. most interior upholstery fabric should be regularly vacuumed and kept away from direct sunlight.

*please visit [grazia&co website](#) for further details.*



australian  
made



no direct  
sunlight



do not dry  
clean



do not  
machine  
wash



do not iron

**grazia&co**<sup>®</sup>