

grazia&co melbourne  
1 / 10-14 advantage road  
highett, vic, 3190  
phone +61 3 9555 5760

grazia&co sydney  
12b, 32 ralph street  
alexandria, nsw, 2015  
phone +61 2 8914 0350

## winter swivel chair



made in melbourne, the winter swivel chair features a curved grid shell and disc base, made from powder coated stainless steel with a removable sheepskin seat pad. the column base conceals a swivel mechanism for 360 degree rotation.

grazia&co<sup>®</sup>

## sheepskin

origin: australia



black



natural

## house powder coat



texture white



texture suede



apo grey

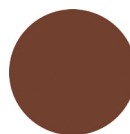


texture black

## premium powder coat



stone



earth



dark bronze



transformer  
grey



mangrove



deep ocean



manor red



deep brunswick  
green



pink sand

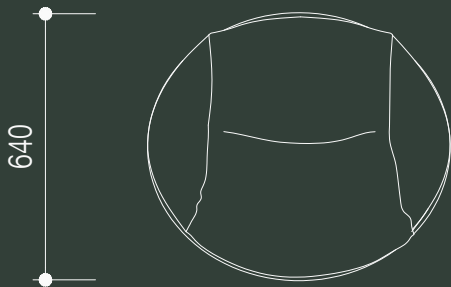
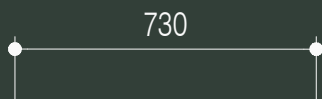
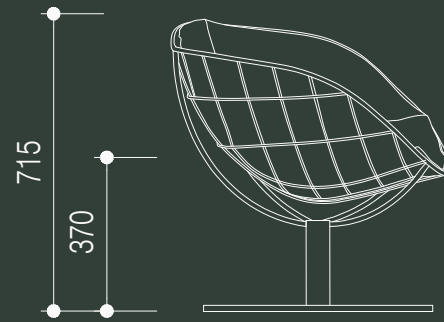
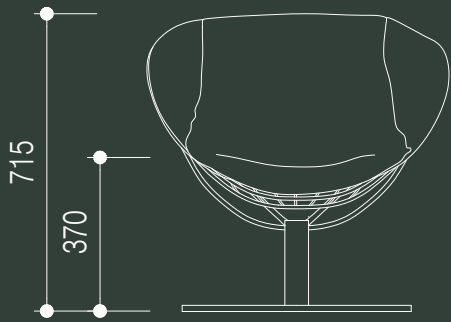


monument

grazia&co<sup>®</sup>

# technical specifications

---



**design registration no**  
202014596

**year released**  
2020

## warranty

- i. warranty period of 3 years for the structural integrity of the frame and 12 months for the seat pad, both under 'normal use'
- ii. chipping and scratches on powder coated metal due to wear and tear are not warranted
- iii. general wear and tear or changes in appearance and performance resulting from being exposed to the elements are not warranted.
- iv. fabric that fades or breakdown due to exposure to sunlight, uv or moisture are not warranted.

all terms outlined in this document are applicable exclusively to projects and orders that are based in australia.  
for warranty claims outside australia, please note that a 12 month warranty period will apply, all claims are to be taken up with the international selling agent

to view the full warranty please refer to the link below  
<https://graziaandco.com.au/terms-2/>

**craftmanship:** designed and manufactured in australia

## materials

**seat cushion:** commercial grade foam and specified upholstery

**frame:** powder coated stainless steel

**lead time:** 8-10 weeks. lead times may vary during peak periods

**suitability:** indoor use



**1-3**  
1-3 year  
warranty

**grazia&co**<sup>®</sup>

## finishes & product care

---

### house leather care

protect from direct sunlight, heat and weather. dust with a clean dry cloth or use the soft brush attachment on your vacuum cleaner. remove all liquid and food spills immediately. wipe with a clean cloth dampened with proprietary brand leather cleaner suitable for a surface finish leather.

### sheepskin

store away from direct sunlight and high heat sources, such as blow dryers and radiators. never rub or brush sheepskin when it's wet. to clean up small spills on your sheepskin upholstery, wipe with a damp cloth, and gently pluck any debris from the suede with tweezers. never use hot water. this causes permanent damage by stripping the natural oil, (lanolin) from the pelt making it very hard and rough. for professional cleaning, select a cleaner that specialises in leather/suede/fur.

### powder coated items care

wash as required with warm soapy water using a soft clean cloth. for marine or commercial environments, we recommend regular cleaning. do not pressure wash or steam items that are powder coated. if powder coating chips due to a knock and / or rough treatment this is not covered by warranty. touch up paint can be purchased on request (depending on availability). scratches and chips should be repaired as soon as they appear.



australian  
made



no direct  
sunlight



do not dry  
clean



do not  
machine  
wash



do not iron

grazia&co<sup>®</sup>