

grazia&co melbourne
1 / 10-14 advantage road
highett, vic, 3190
phone +61 3 9555 5760

grazia&co sydney
12b, 32 ralph street
alexandria, nsw, 2015
phone +61 2 8914 0350

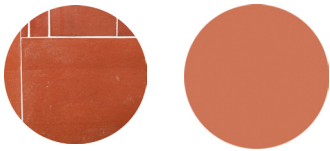
anchor table range



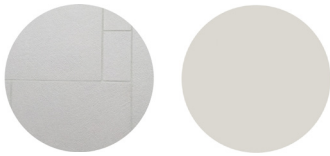
designed by bruce rowe of anchor and made in australia, the anchor tables feature a tiled top with stainless steel table base in powder coated finish to match the unique tile top.

grazia&co[®]

powder coat and tile combinations



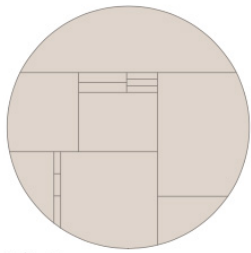
terracotta tile with clay powder coat



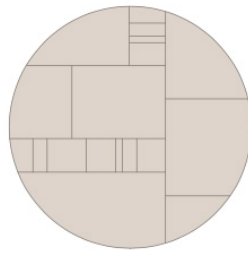
off white tile with surfmist powder coat

tile top designs

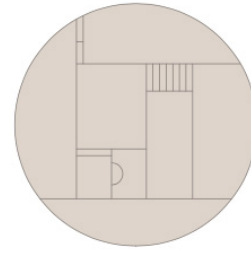
550 diameter



A - 550 dia

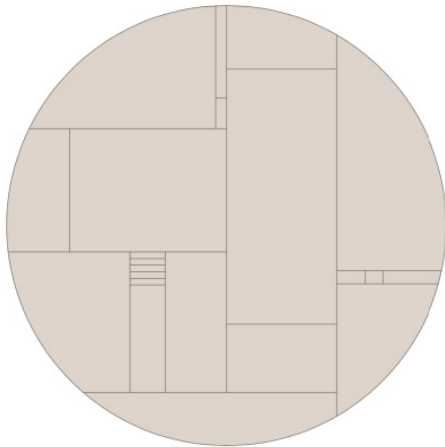


B - 550 dia

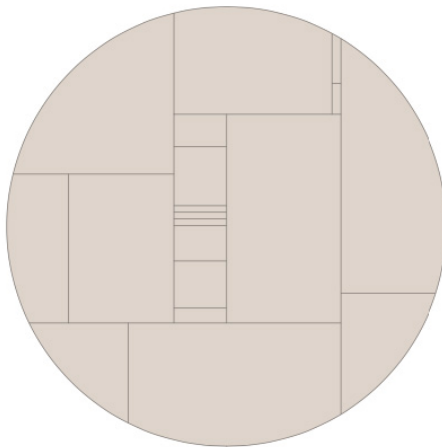


C - 550 dia

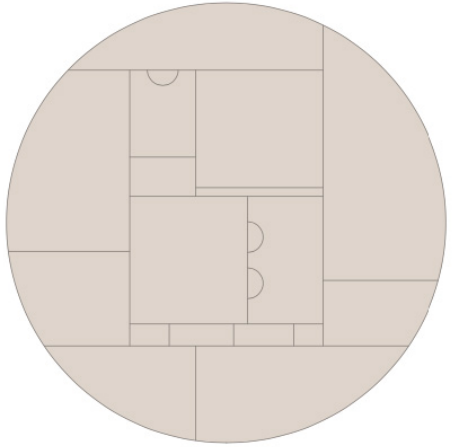
1000 diameter



A - 1000 dia



B - 1000 dia

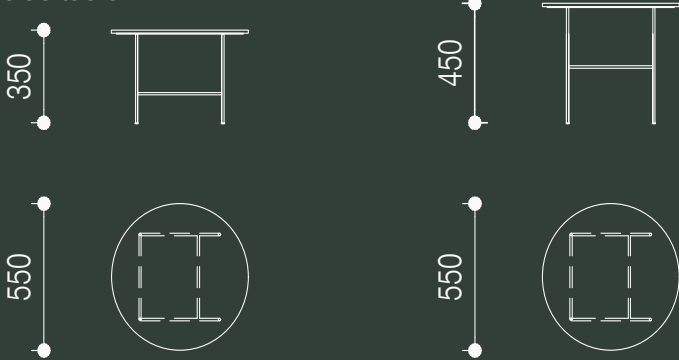


C - 1000 dia

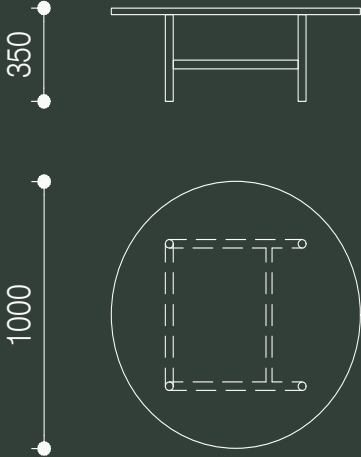


technical specifications

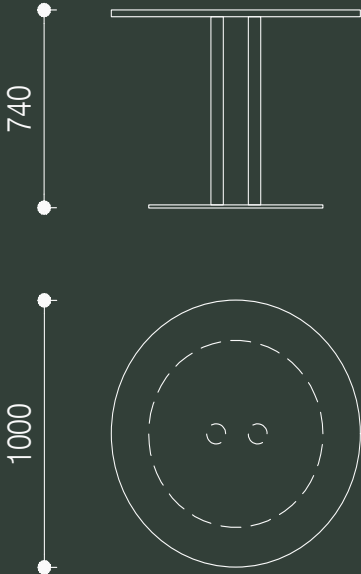
1. side table



2. coffee table



3. dining table



designer

bruce rowe of anchor
for grazia&co

design registration no

202732AU-001
202732AU-002
202732AU-003
202732AU-004
202732AU-005
202732AU-006

year designed

2020

warranty

- i. warranty period of 1 year for the structural integrity of the furniture under 'normal use'
- ii. chipping and scratches on powder coated metal due to wear and tear are not warranted
- iii. metal pieces that are not specific to outdoor use that are exposed to the elements are not warranted
- iv. raw metals oxidise and tarnish over time and are not considered faults of manufacturing
- v. broken, missing or ceased attachments like levelling feet, rubber stoppers and felt pads are not warranted

all terms outlined in this document are applicable exclusively to projects and orders that are based in australia. for warranty claims outside australia, please note that a 12 month warranty period will apply, all claims are to be taken up with the international selling agent. to view the full warranty please refer to the link below <https://graziaandco.com.au/grazia-terms-and-conditions/>

craftmanship:

manufactured in australia

materials:

stainless steel or aluminium, powdercoat,
ceramic tiles, epoxy grout

lead time:

if not in stock, 10-12 weeks

suitability:

indoor and outdoor use



australian
made



1 year
warranty

powder coated

items wash as required with warm soapy water using a soft clean cloth. for marine or commercial environments, we recommend regular cleaning. do not pressure wash or steam items that are powder coated. if powder coating chips due to a knock and / or rough treatment this is not covered by warranty. touch up paint can be purchased on request (depending on availability). scratches and chips should be repaired as soon as they appear.

marble, granite and tile

surfaces grazia & co use various marbles, granites, bluestone and tiles. these stones are a natural product so the colour and veins can vary. these hard surfaces can be cleaned with warm soapy water. leaving food residue or liquid on the stone for an extended period can penetrate the stone and cause permanent staining. staining and chipping of the stone is not covered under the warranty and is considered general wear and tear.



australian
made