

grazia&co melbourne
1 / 10-14 advantage road
highett, vic, 3190
phone +61 3 9555 5760

grazia&co sydney
12b, 32 ralph street
alexandria, nsw, 2015
phone +61 2 8914 0350

audrey table



the audrey table is handcrafted in australia from a choice of solid oak or walnut. the table's elegant angular leg design and table top shadow line are subtle details that add to it's appeal. available in a range of sizes, this table is suitable as a dining or meeting table.

grazia&co[®]

solid timber



black



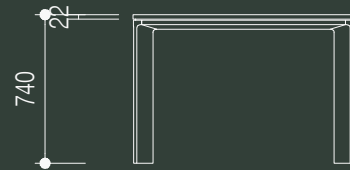
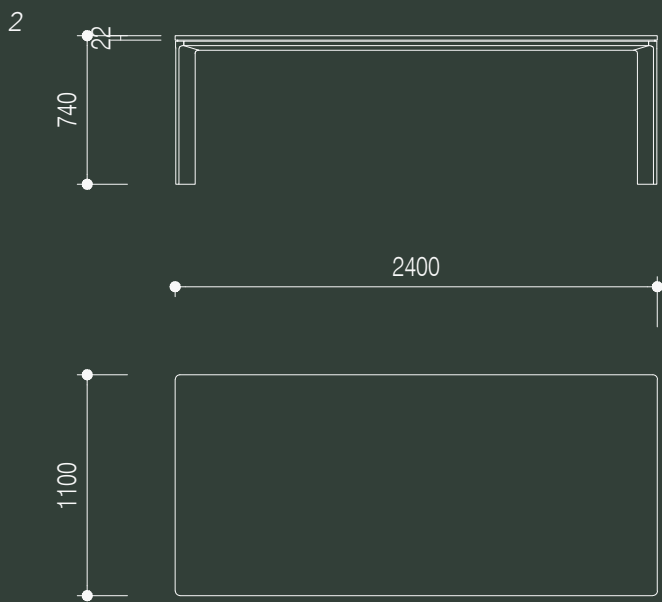
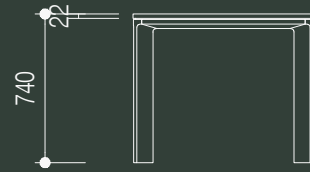
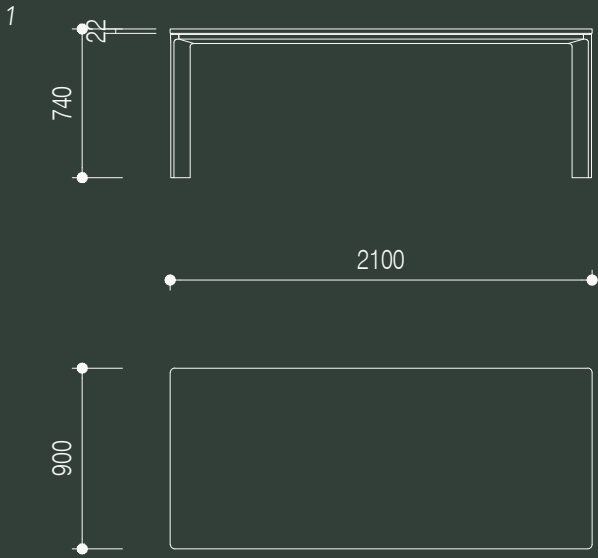
frost



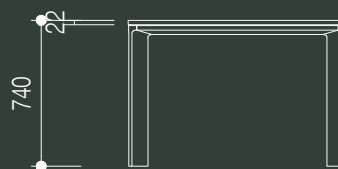
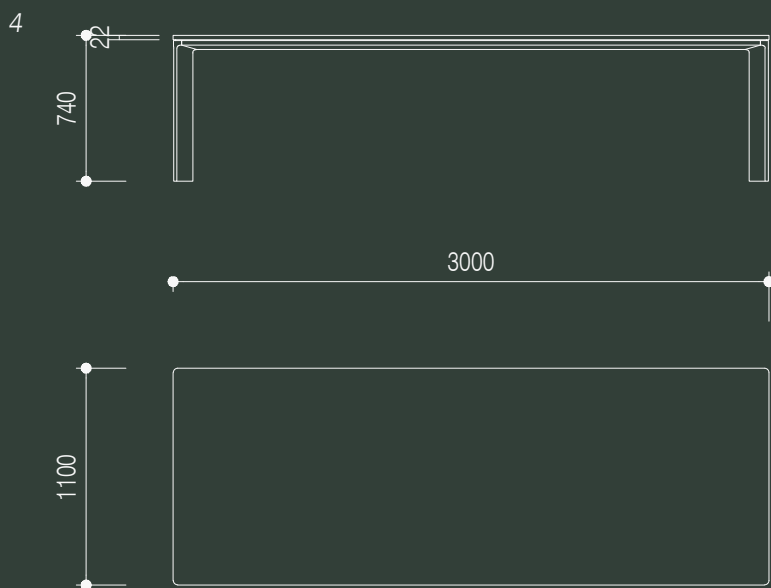
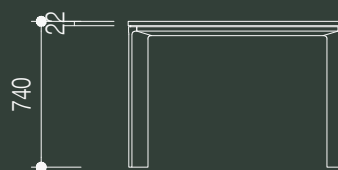
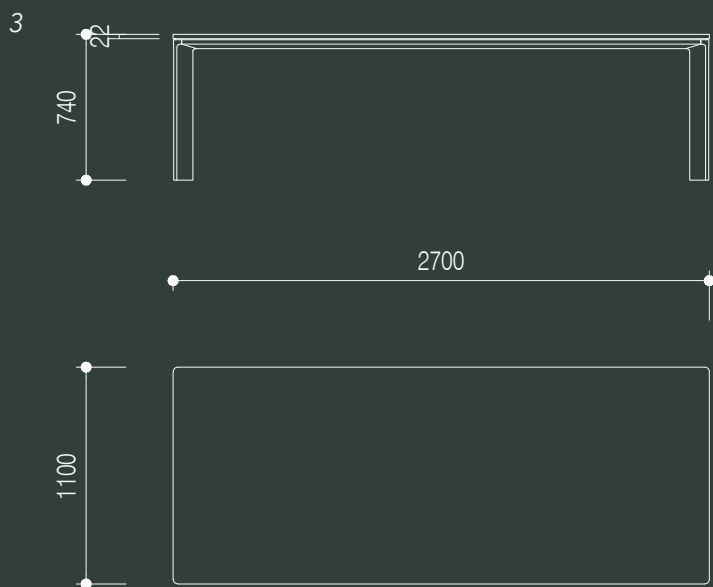
walnut



technical specifications



technical specifications



product specifications

year released
2023

warranty

solid timber, timber veneer joinery and tables

- i. warranty period of 2 years for the structural integrity of the furniture under "normal use"
- ii. natural materials like solid and veneer timbers can vary in colour, natural figuration and texture. these are not considered faults.
- iii. movement, joint separation, bowing as a result of fluctuations in temperature and any damage caused by direct sunlight are not warranted.
- iv. day to day use and wear and tear that can cause scratches, expansion, colour changes, chips, burns, splits are not warranted.
- v. painted and stained timber can chip. this is not warranted and considered as wear and tear through use of the item.

to view the full terms and conditions please refer to the link below
<https://graziaandco.com.au/grazia-terms-and-conditions/>

craftmanship:

manufactured in australia

materials:

solid american oak, american walnut and american white ash timber

lead time:

8-10 weeks. lead times may vary during peak periods

suitability:

available as indoor



australian
made

2

2 year
warranty

grazia&co[®]

finishes & product care

solid timber and veneer

grazia&co timber furniture is finished with a clear satin lacquer inclusive of an ultraviolet light protector. this may reduce the harsh effects of direct sunlight although cannot eliminate fading and discolouration completely. therefore, we do not recommend furniture be left in direct sunlight for long periods of time. avoid placing hot crockery on furniture surfaces which in turn may burn, discolour or lift binding agents. coasters, clothes and mats can be placed between the surface and the hot object. do not position furniture over or next to heating or electrical appliances. please ensure furniture is not exposed to excessive quantities of liquids or moisture which may absorb into the timber. this may result in movements of the timber, change in form, cracking or mould. if your furniture is being used as a writing surface, grazia&co recommends blotters or pads to prevent ball point pens leaving imprints in the timber top. objects resting against or on top of furniture should have some form of padding between the timber and the object. avoid bare metal or sharp pointed edges. a small amount of natural movement of the timber is expected as it adapts to the conditions of your home, due to variations in humidity and temperature.

to view the full care and maintenance please refer to the link below

<https://graziaandco.com.au/care-and-maintenance>

grazia&co[®]