

grazia&co melbourne  
1 / 10-14 advantage road  
highett, vic, 3190  
phone +61 3 9555 5760

grazia&co sydney  
12b, 32 ralph street  
alexandria, nsw, 2015  
phone +61 2 8914 0350

## dita outdoor range



made in australia, the dita outdoor range features a solid stainless steel rod frame with a fully upholstered seat and backrest. available in range of powder coat and upholstery options which can all be customised. the stool comes with an upholstered back, open back or no back, all featuring either a brass or stainless steel footrail. stackable versions of both the chair and stool are also available.

grazia&co<sup>®</sup>

plain and perforated vinyl



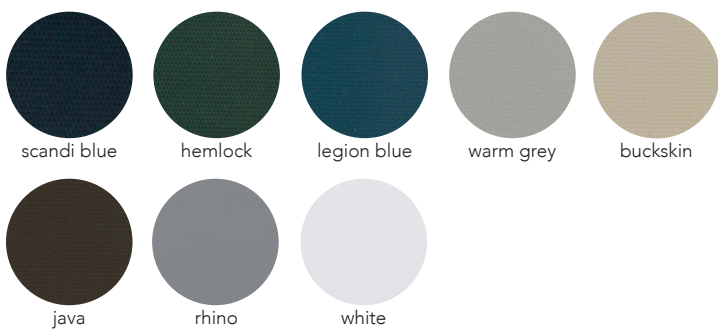
zone vinyl - leather look origin: usa



textured vinyl - linen look origin: europe

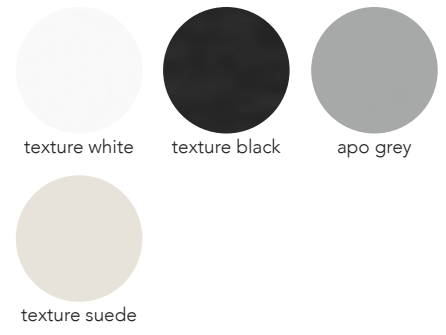


koolio vinyl - finely textured, satin look origin: canada



custom  
*custom finishes as specified*

house powder coat



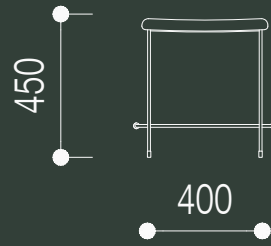
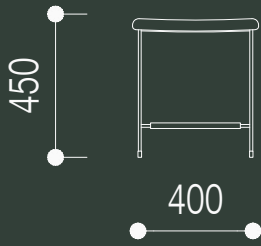
premium powder coat



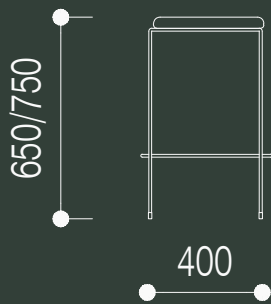
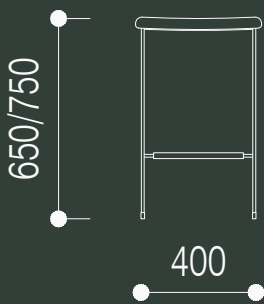
footrail



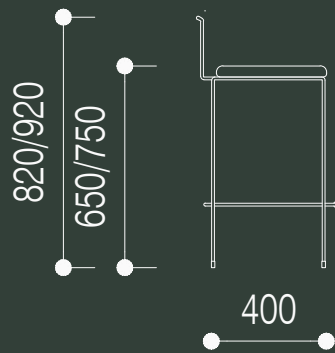
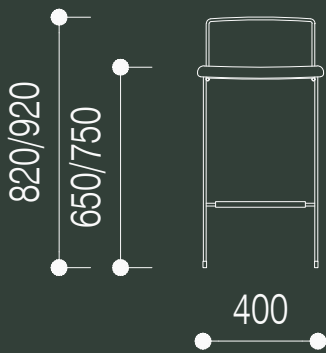
1 - junior stool



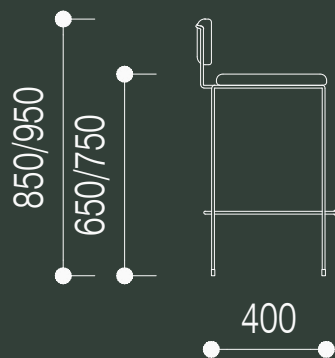
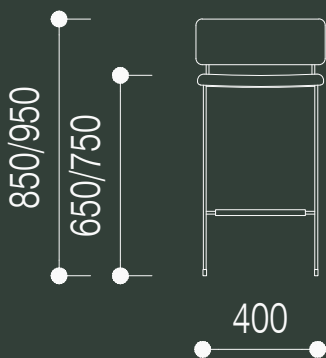
2 - no back stool



3 - open back stool



4 - upholstered back stool



**design registration no**  
201616493 / 201616492/  
201616491 /201615714

**year released**  
2016

## warranty

- i. warranty period of 1 year for the structural integrity of the furniture under 'normal use'
- ii. general wear and tear or changes in appearance and performance resulting from being exposed to the elements are not warranted.
- iii. fabric that fades or breakdown due to exposure to sunlight, uv or moisture are not warranted.

*all terms outlined in this document are applicable exclusively to projects and orders that are based in australia. for warranty claims outside australia, please note that a 12 month warranty period will apply, all claims are to be taken up with the international selling agent. to view the full warranty please refer to the grazia&co website.*

**craftmanship:** designed and manufactured in australia  
**materials:** seat: ply seat and backrest with foam and specified upholstery  
frame: powder coated stainless steel with brass or stainless steel footrail.  
**lead time:** 8-10 weeks  
**suitability:** outdoor use



australian  
made

1

1 year  
warranty

### house vinyl care

maintaining and care of the upholstery should be done by regular vacuuming to remove dust and dirt. spot cleaning should be done immediately after a spill. first spot clean with mild soap and water. using a sponge to remove the stains, rinse with clean water.

suntan lotions and sprays such as insect repellants may discolour the fabric. acid based liquids such as coffee, wine and fruit juice need to be wiped off immediately. the longer a stain or spill remains on the fabric the more difficult it can be to remove. do not use abrasive alcohol based or solvent based cleaners.

### custom specified upholstery

please refer to individual suppliers for information on care and maintenance of fabrics that have been specified by a designer, as these will be outside the standard grazia&co range. most interior upholstery fabric should be regularly vacuumed and kept away from direct sunlight.

### powder coated items care

wash as required with warm soapy water using a soft clean cloth. for marine or commercial environments, we recommend regular cleaning. do not pressure wash or steam items that are powder coated. if powder coating chips due to a knock and / or rough treatment this is not covered by warranty. touch up paint can be purchased on request (depending on availability). scratches and chips should be repaired as soon as they appear.

*to view the full care and maintenance please refer to the grazia&co website.*



no direct  
sunlight