

grazia&co melbourne
1 / 10-14 advantage road
highett, vic, 3190
phone +61 3 9555 5760

grazia&co sydney
20 / 108 dunning avenue
rosebery, nsw, 2018
phone +61 2 8914 0350

aerial table



supporting a 32mm solid timber tabletop, powder coated cylindrical sections create the curved leg detail. it is able to feature on its own, however, when joined with additional aerial tables, the modular relationship reads uniformly and carries a familiar expression of partial or full circles depending on its configuration.

the 'aerial' collection is designed by wood marsh architecture for grazia&co.

grazia&co®

top specifications

solid timber



natural oak



frost



dusk



black



natural walnut

frame specifications

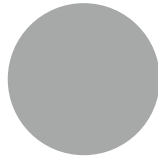
house powder coat



texture white



texture black

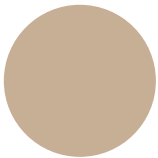


apo grey



texture suede

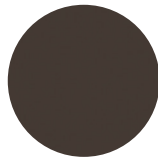
premium powder coat



stone



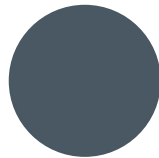
earth



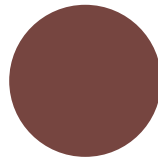
dark bronze



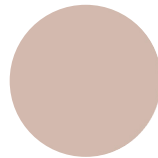
mangrove



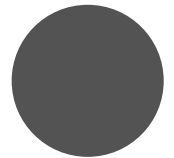
deep ocean



manor red



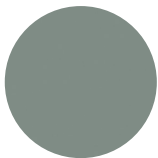
pink sand



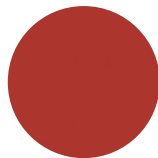
monument



deep brunswick
green



transformer
grey gloss



signal red
gloss



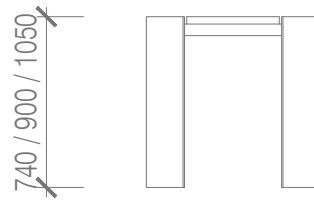
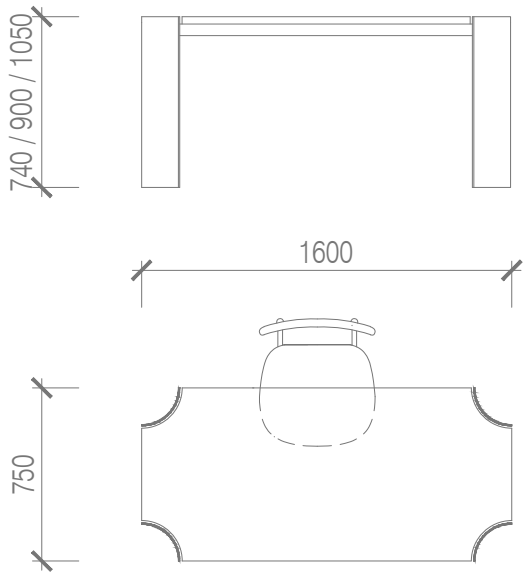
dune

custom

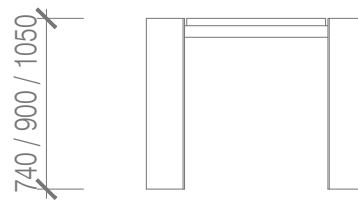
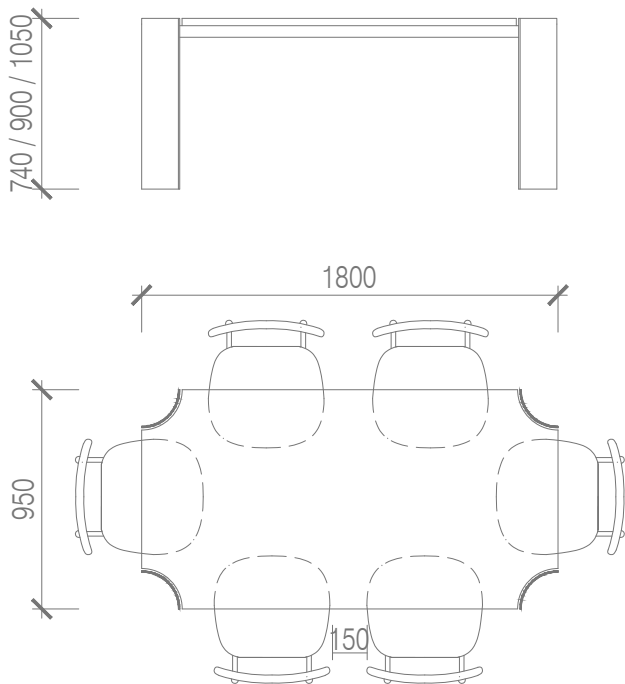
custom finishes as specified



1 - desk 1600L

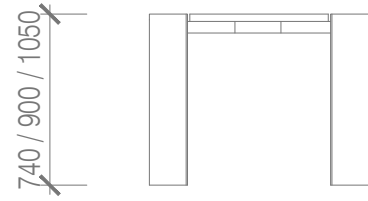
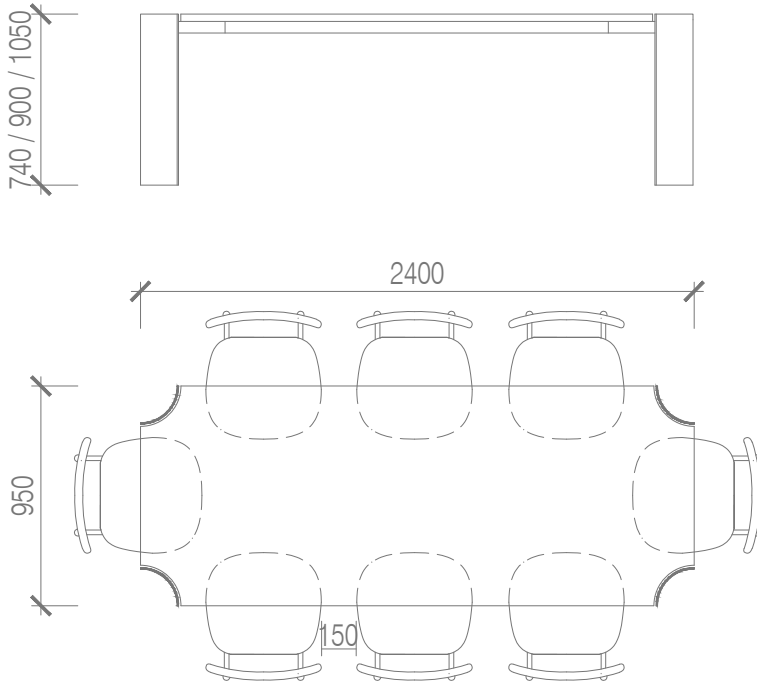


2 - table 1800L

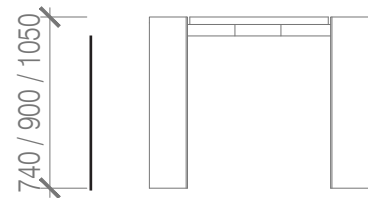
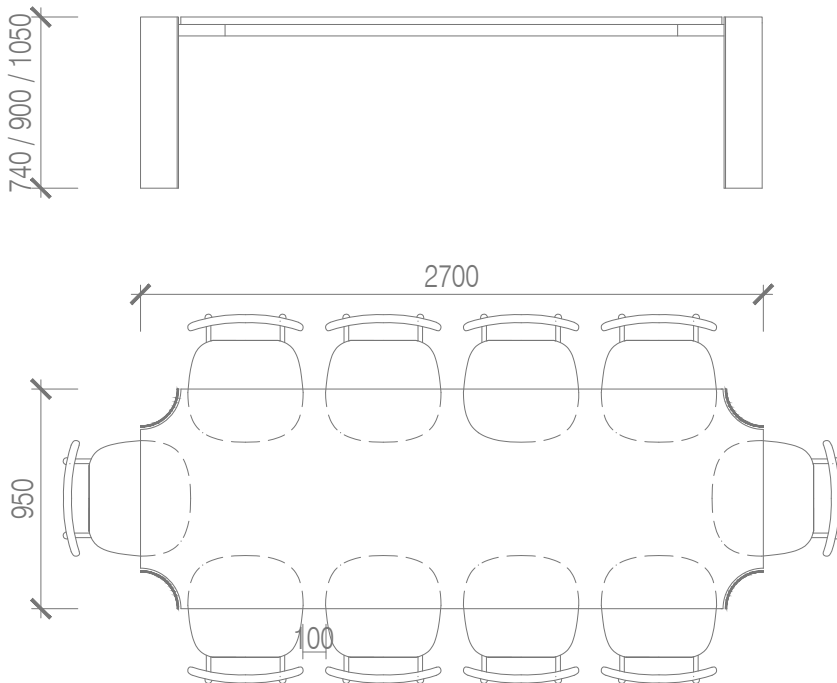


note - based on 500mm wide chair

3 - table 2400L



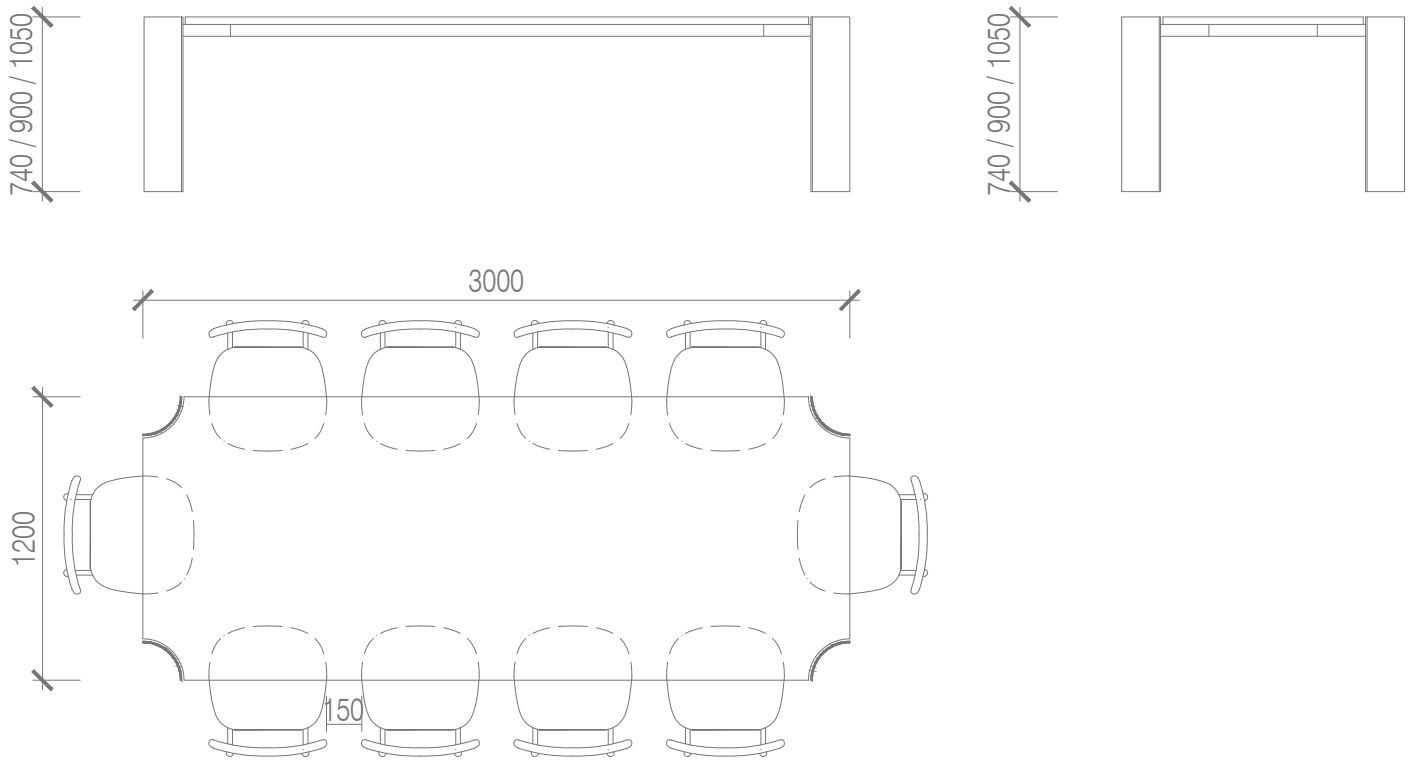
4 - table 2700L



note - based on 500mm wide chair



5 - table 3000L



note - based on 500mm wide chair

designer
wood marsh architecture

design registration
no.202014150

year released
2020

warranty

- i. warranty period of 3 years for the structural integrity of the furniture under "normal use"
- ii. natural materials like solid and veneer timbers can vary in colour, natural figuration and texture. these are not considered faults.
- iii. movement, joint separation, bowing as a result of fluctuations in temperature and any damage caused by direct sunlight are not warranted.
- iv. day to day use and wear and tear that can cause scratches, expansion, colour changes, chips, burns, splits are not warranted.
- v. painted and stained timber can chip. this is not warranted and considered as wear and tear through use of the item.
- vi. chipping and scratches on powder coated metal due to wear and tear are not warranted
- vii. metal pieces that are not specific to outdoor use that are exposed to the elements are not warranted
- vii. raw metals oxidise and tarnish over time and are not considered faults of manufacturing

all terms outlined in this document are applicable exclusively to projects and orders that are based in australia. for warranty claims outside australia, please note that a 12 month warranty period will apply, all claims are to be taken up with the international selling agent. to view the full warranty please refer to the [grazia&co website](#).

craftmanship: designed and manufactured in australia

materials: top - solid timber with specified finish
frame - powder coated aluminium

lead time: 8-10 weeks. lead times may vary during peak periods

suitability: indoor use



solid timber

grazia&co timber furniture is finished with a clear satin lacquer inclusive of an ultraviolet light protector. this may reduce the harsh effects of direct sunlight although cannot eliminate fading and discolouration completely. therefore, we do not recommend furniture be left in direct sunlight for long periods of time. avoid placing hot crockery on furniture surfaces which in turn may burn, discolour or lift binding agents. coasters, clothes and mats can be placed between the surface and the hot object. do not position furniture over or next to heating or electrical appliances. please ensure furniture is not exposed to excessive quantities of liquids or moisture which may absorb into the timber. this may result in movements of the timber, change in form, cracking or mould. if your furniture is being used as a writing surface, grazia&co recommends blotters or pads to prevent ball point pens leaving imprints in the timber top. objects resting against or on top of furniture should have some form of padding between the timber and the object. avoid bare metal or sharp pointed edges. a small amount of natural movement of the timber is expected as it adapts to the conditions of your home, due to variations in humidity and temperature.

powder coated items care

wash as required with warm soapy water using a soft clean cloth. for marine or commercial environments, we recommend regular cleaning. do not pressure wash or steam items that are powder coated. if powder coating chips due to a knock and / or rough treatment this is not covered by warranty. touch up paint can be purchased on request (depending on availability). scratches and chips should be repaired as soon as they appear.

to view the full care and maintenance please refer to the [grazia&co website](#).



australian
made



no direct
sunlight



do not iron