

grazia&co melbourne
1 / 10-14 advantage road
highett, vic, 3190
phone +61 3 9555 5760

grazia&co sydney
20 / 108 dunning avenue
rosebery, nsw, 2018
phone +61 2 8914 0350

leeroy sofa



australian made sofa featuring exposed solid oak legs with relaxed arm cushions. made from australian fr commercial foam with feather wrap seat cushions.



upholstery specifications

premium leather - semi aniline

semi aniline leather
origin: europe



camel 295



tan 223



chocolate 298

boucle

composition: 28% acrylic / 24% cotton / 20% viscose / 16% wool / 12% polyester
origin: netherlands
martindale cycles: 80,000



00 cream



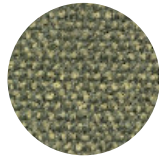
27 terracotta



55 deep green



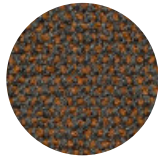
88 charcoal



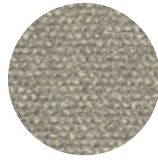
56 green
melange



73 charcoal
melange



82 orange
melange



89 grey
melange

velvet

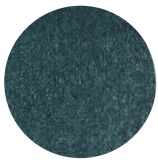
composition: 39% cotton / 28% alpaca / 11% polyester / 9% wool / 7% nylon / 6% viscose.
origin: italy
martindale cycles: 100,000



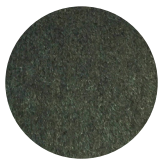
camel



porcini



prussian



vine



olive



bronze



sienna



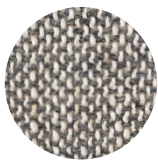
cacao

linen weave

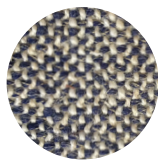
composition: 15% linen / 40% cotton / 20% viscose / 20% acrylic / 5% polyester
origin: belgium
matindale cycles: 45,000



putty



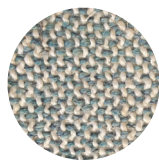
granite



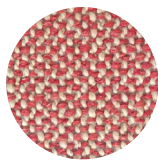
indigo



onyx



teal



carmine



rust



lapis

soft textured weave

composition: 100% polyester
origin: netherlands
matindale cycles: 45,000



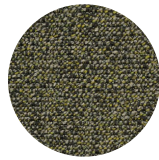
01



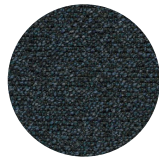
19



51



58



84



87

frame specifications

timber leg



dusk



natural



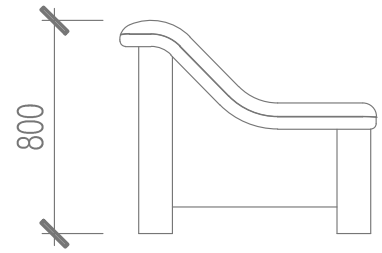
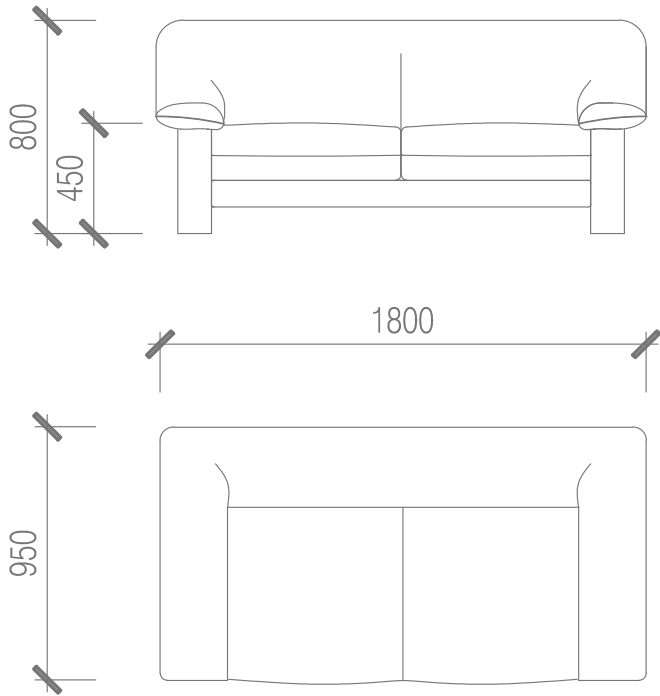
black

custom

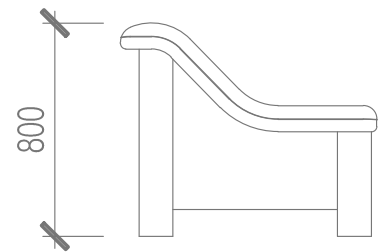
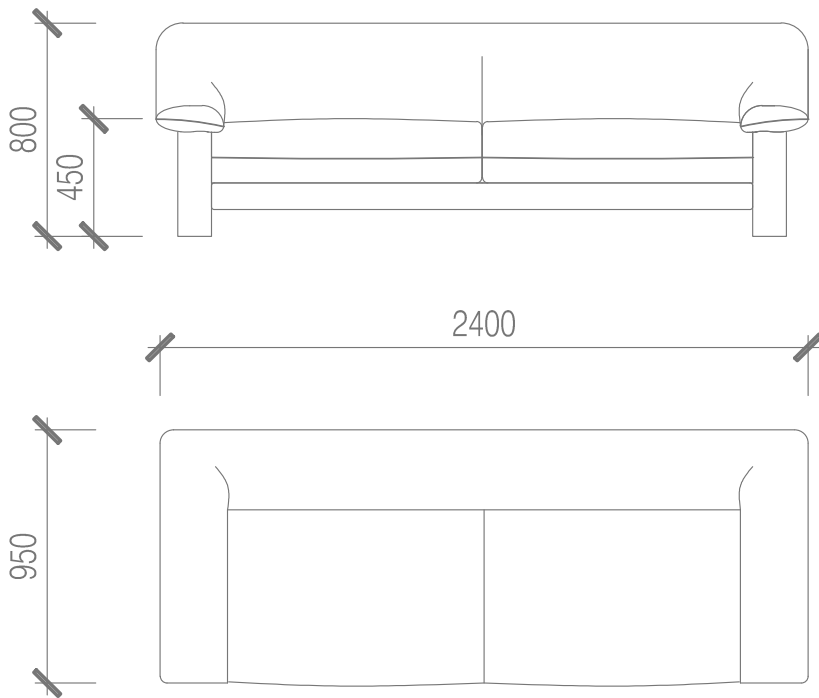
custom finishes as specified



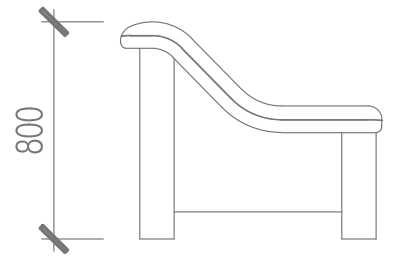
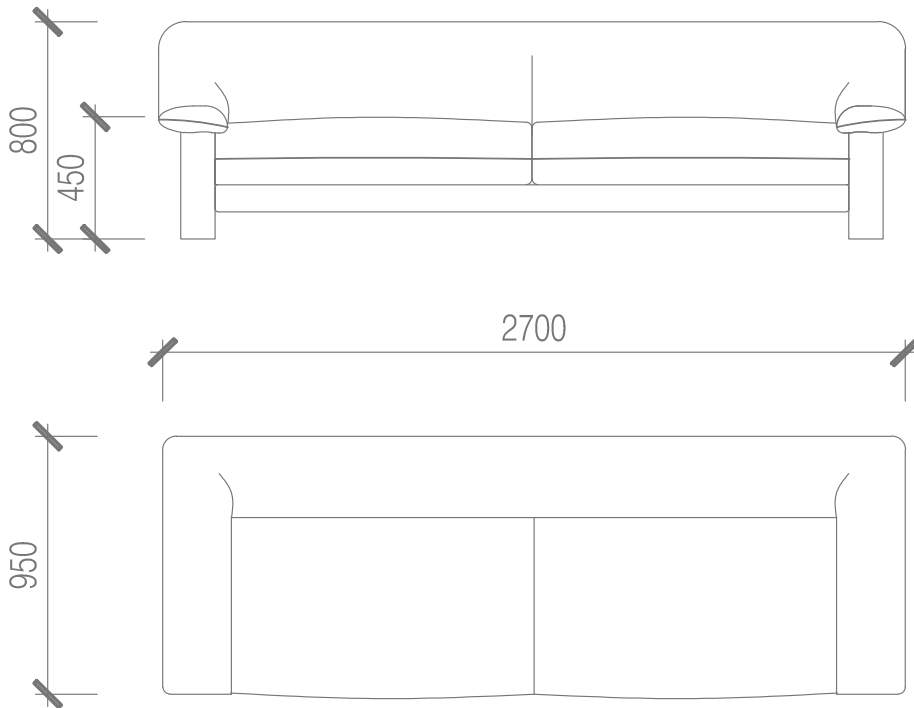
1 - 1800L



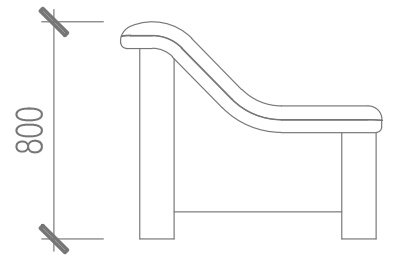
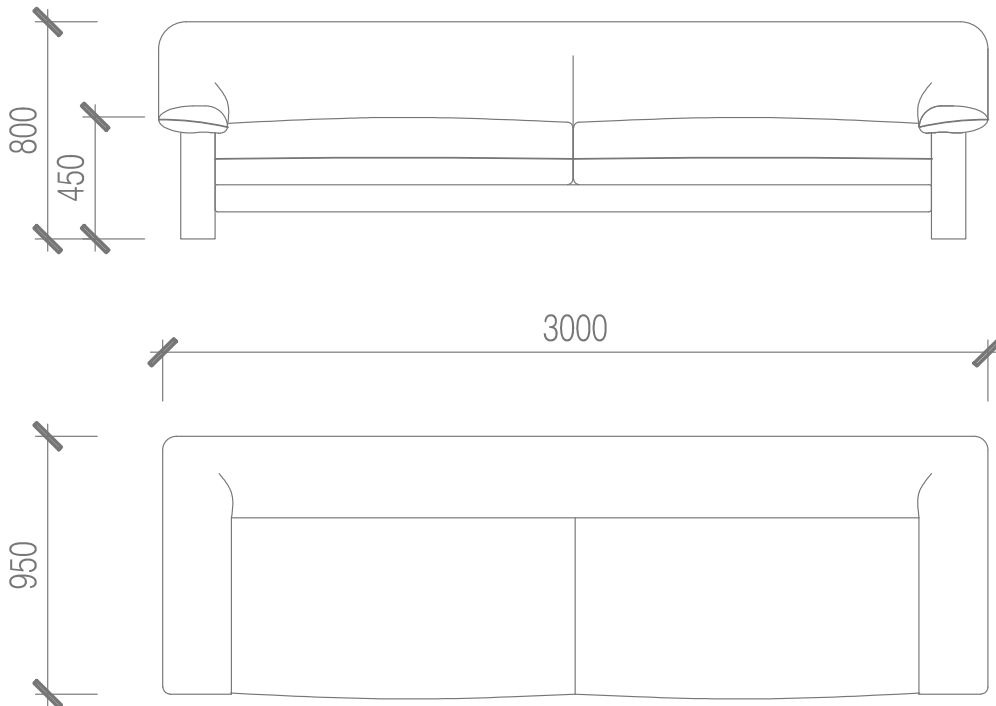
2 - 2400L



3 - 2700L



4 - 3000L



year released
2015

warranty

- i. warranty period of 7 years for the structural integrity of the furniture under "normal use"
- ii. the warranty covers the timber and metal frames, the suspension and the foam integrity.
- iii. fabric and leather wear and tear are not warranted.
- iv. fabric and leather that has faded or broken down due to exposure to sunlight or extreme weather conditions is not warranted.
- v. care instructions and warranty claims of fabric to be addressed with the textile supplier or specifier.
- vi. it is the responsibility of the specifier and/or supplier that has selected and/or supplied a fabric or leather through 3rd party suppliers to ensure it is free of faults and fit for purpose and application.
- vii. leather, sheepskin and other upholsteries with natural compositions can be prone to discolouration due to exposure to sunlight. this is not considered a fault and is not covered by warranty.
- viii. natural materials like solid and veneer timbers can vary in colour, natural figuration and texture. these are not considered faults.
- ix. movement, joint separation, bowing as a result of fluctuations in temperature and any damage caused by direct sunlight are not warranted.
- x. day to day use and wear and tear that can cause scratches, expansion, colour changes, chips, burns, splits are not warranted.
- xi. painted and stained timber can chip. this is not warranted and considered as wear and tear through use of the item.

all terms outlined in this document are applicable exclusively to projects and orders that are based in australia. for warranty claims outside australia, please note that a 12 month warranty period will apply, all claims are to be taken up with the international selling agent. to view the full warranty please refer to the [grazia&co website](#).

craftmanship: designed and manufactured in australia

materials: solid turned timber leg with dacron, feather and australian FR foam seat and wrap fully upholstered in specified fabric

lead time: 8-10 weeks. lead times may vary during peak periods

suitability: indoor use



solid timber and timber veneer

grazia&co timber furniture is finished with a clear satin lacquer inclusive of an ultraviolet light protector. this may reduce the harsh effects of direct sunlight although cannot eliminate fading and discolouration completely. therefore, we do not recommend furniture be left in direct sunlight for long periods of time. avoid placing hot crockery on furniture surfaces which in turn may burn, discolour or lift binding agents. coasters, clothes and mats can be placed between the surface and the hot object. do not position furniture over or next to heating or electrical appliances. please ensure furniture is not exposed to excessive quantities of liquids or moisture which may absorb into the timber. this may result in movements of the timber, change in form, cracking or mould. if your furniture is being used as a writing surface, grazia&co recommends blotters or pads to prevent ball point pens leaving imprints in the timber top. objects resting against or on top of furniture should have some form of padding between the timber and the object. avoid bare metal or sharp pointed edges. a small amount of natural movement of the timber is expected as it adapts to the conditions of your home, due to variations in humidity and temperature.

house leather care

protect from direct sunlight, heat and weather. dust with a clean dry cloth or use the soft brush attachment on your vacuum cleaner. remove all liquid and food spills immediately. wipe with a clean cloth dampened with proprietary brand leather cleaner suitable for a surface finish leather.

velvet

all spills must be actioned right away- blotting the area immediately with a clean, dry absorbent cloth. never bleach, tumble dry, machine wash or iron. have velvet upholstery professionally cleaned according to the velvet suppliers' recommendations. to remove dust, vacuum regularly using low suction and soft brush attachment or using a soft lint brush.

cotton & polyester

protect from direct sunlight. vacuum regularly using low suction and soft brush attachment. professionally clean in accordance to the fabric suppliers' instructions. treat spills and stains as soon as possible with a clean damp cloth.

custom specified upholstery

please refer to individual suppliers for information on care and maintenance of fabrics that have been specified by a designer, as these will be outside the standard grazia&co range. most interior upholstery fabric should be regularly vacuumed and kept away from direct sunlight.

to view the full care and maintenance please refer to the [grazia&co website](#).

