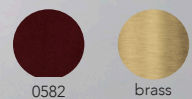


grazia&co melbourne
1 / 10-14 advantage road
highett, vic, 3190
phone +61 3 9555 5760

grazia&co sydney
20 / 108 dunning avenue
rosebery, nsw, 2018
phone +61 2 8914 0350

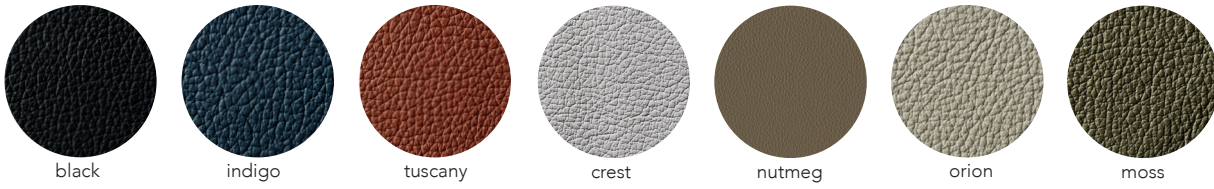
rhonda chair



made in australia, a compact fully upholstered occasional tub chair. featuring pinched edges with ruched backrest detail, a loose feather seat cushion and optional brass shepherd castors. suitable as a study chair, visitors chair, lounge, a very decadent dining chair or the perfect accompaniment to the double rhonda.

grazia&co[®]

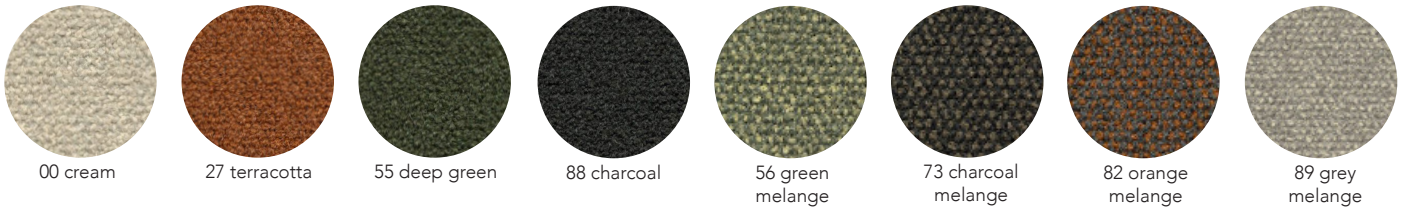
house leather - corrected grain corrected grain leather
origin: europe



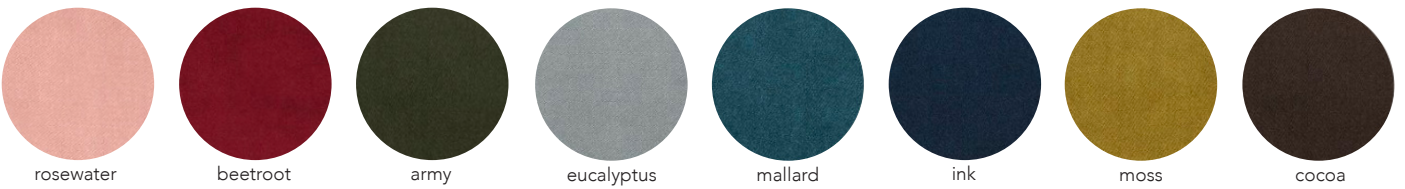
premium leather - semi aniline semi aniline leather
origin: europe



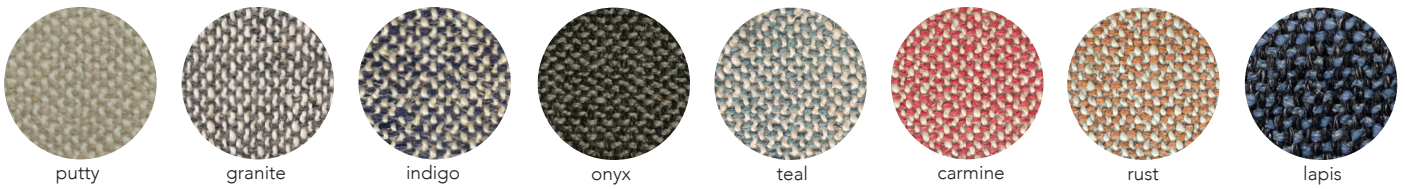
boucle composition: 28% acrylic / 24% cotton / 20% viscose / 16% wool / 12% polyester
origin: netherlands
martindale cycles: 80,000



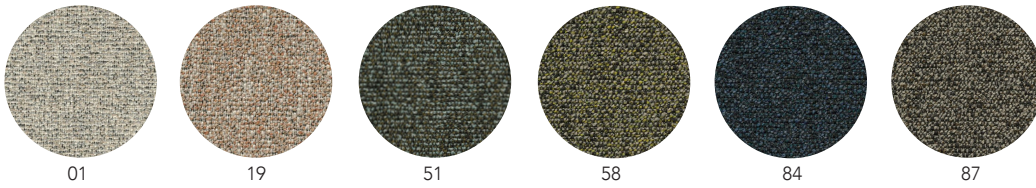
polyester velvet composition: 100% polyester
origin: australia
martindale cycles: 150,000



linen weave composition: 15% linen / 40% cotton / 20% viscose / 20% acrylic / 5% polyester
origin: belgium
matindale cycles: 45,000



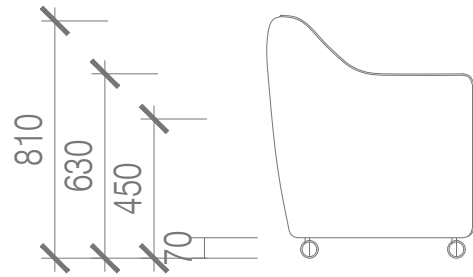
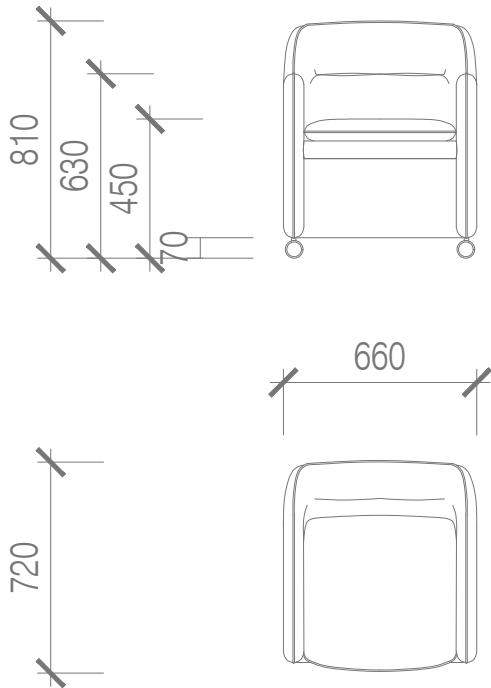
soft textured weave composition: 100% polyester
origin: netherlands
matindale cycles: 45,000



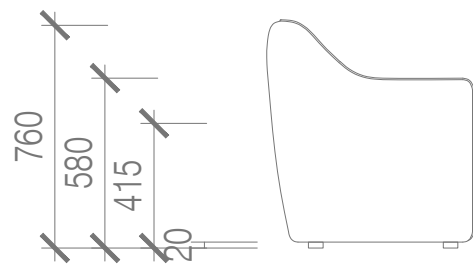
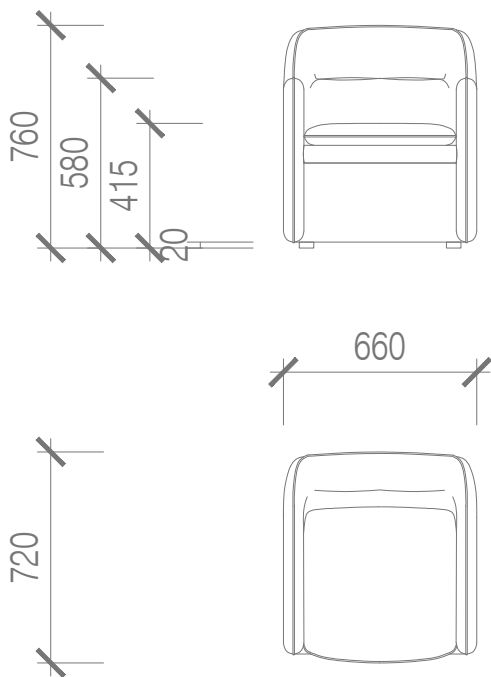
custom custom finishes as specified



1 - chair with castor wheels



2 - chair with glides



year released
2022

warranty

- i. warranty period of 7 years for the structural integrity of the furniture under "normal use"
- ii. the swivel castor wheels are covered for 1 year under 'normal use'
- iii. the warranty covers the timber and metal frames, the suspension and the foam integrity.
- iv. fabric and leather wear and tear are not warranted.
- v. fabric and leather that has faded or broken down due to exposure to sunlight or extreme weather conditions is not warranted.
- vi. care instructions and warranty claims of fabric to be addressed with the textile supplier or specifier.
- vii. it is the responsibility of the specifier and/or supplier that has selected and/or supplied a fabric or leather through 3rd party suppliers to ensure it is free of faults and fit for purpose and application.
- viii. leather, sheepskin and other upholsteries with natural compositions can be prone to discolouration due to exposure to sunlight. this is not considered a fault and is not covered by warranty.

all terms outlined in this document are applicable exclusively to projects and orders that are based in australia. for warranty claims outside australia, please note that a 12 month warranty period will apply, all claims are to be taken up with the international selling agent. to view the full warranty please refer to the [grazia&co website](#).

- craftmanship:** designed and manufactured in australia
- materials:** ply frame with commercial foam wrap and feather fibre seat cushion, fully upholstered in specified fabric
- lead time:** 8-10 weeks. lead times may vary during peak periods
- suitability:** indoor use



house leather care

protect from direct sunlight, heat and weather. dust with a clean dry cloth or use the soft brush attachment on your vacuum cleaner. remove all liquid and food spills immediately. wipe with a clean cloth dampened with proprietary brand leather cleaner suitable for a surface finish leather.

velvet

all spills must be actioned right away- blotting the area immediately with a clean, dry absorbent cloth. never bleach, tumble dry, machine wash or iron. have velvet upholstery professionally cleaned according to the velvet suppliers' recommendations. to remove dust, vacuum regularly using low suction and soft brush attachment or using a soft lint brush.

cotton & polyester

protect from direct sunlight. vacuum regularly using low suction and soft brush attachment. professionally clean in accordance to the fabric suppliers' instructions. treat spills and stains as soon as possible with a clean damp cloth.

custom specified upholstery

please refer to individual suppliers for information on care and maintenance of fabrics that have been specified by a designer, as these will be outside the standard grazia&co range. most interior upholstery fabric should be regularly vacuumed and kept away from direct sunlight.

to view the full care and maintenance please refer to the [grazia&co website](#).



australian
made



no direct
sunlight



c



do not
machine
wash



do not iron

