

grazia&co melbourne
1 / 10-14 advantage road
highett, vic, 3190
phone +61 3 9555 5760

grazia&co sydney
20 / 108 dunning avenue
rosebery, nsw, 2018
phone +61 2 8914 0350

dita outdoor range



made in australia, the dita outdoor range features a solid stainless steel rod frame with a fully upholstered seat and backrest. available in range of powder coat and upholstery options which can all be customised. the stool comes with an upholstered back, open back or no back, all featuring either a brass or stainless steel footrail.

dita stacking chair and stools also available – can stack up to 5 chairs high.

grazia&co®

upholstery specifications

plain and perforated vinyl

origin: china



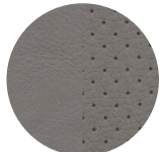
black
plain/perf



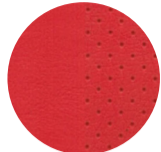
navy
plain/perf



off white
plain/perf



grey
plain/perf



hellfire
plain/perf

zone vinyl - leather look

origin: usa



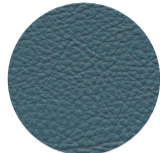
border



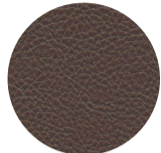
cruising



equator



sound



select



meditation



play



in

textured vinyl - linen look

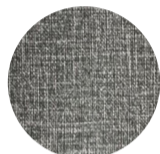
origin: europe



stamina



energise



calm



blush



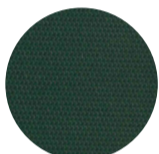
agility

koolio vinyl - finely textured, satin look

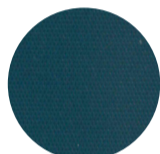
origin: canada



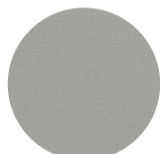
scandi blue



hemlock



legion blue



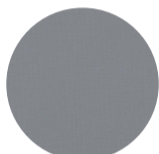
warm grey



buckskin



java



rhino



white

frame specifications

house powder coat



texture white



texture black



apo grey



texture suede

premium powder coat



stone



earth



dark bronze



mangrove



deep ocean



manor red



pink sand



monument



deep brunswick
green



transformer
grey gloss



signal red
gloss



dune

footrail



natural brass



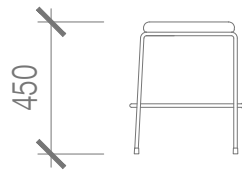
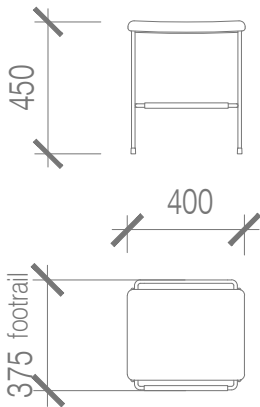
stainless steel

custom

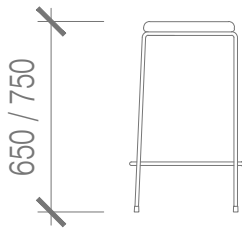
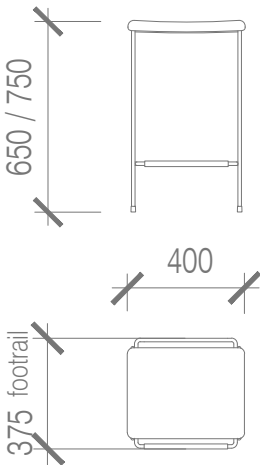
custom finishes as specified



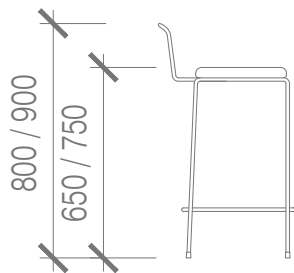
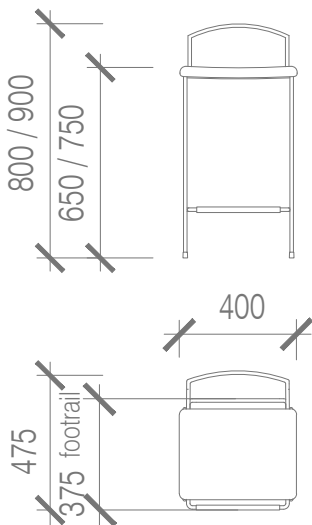
1 - outdoor junior



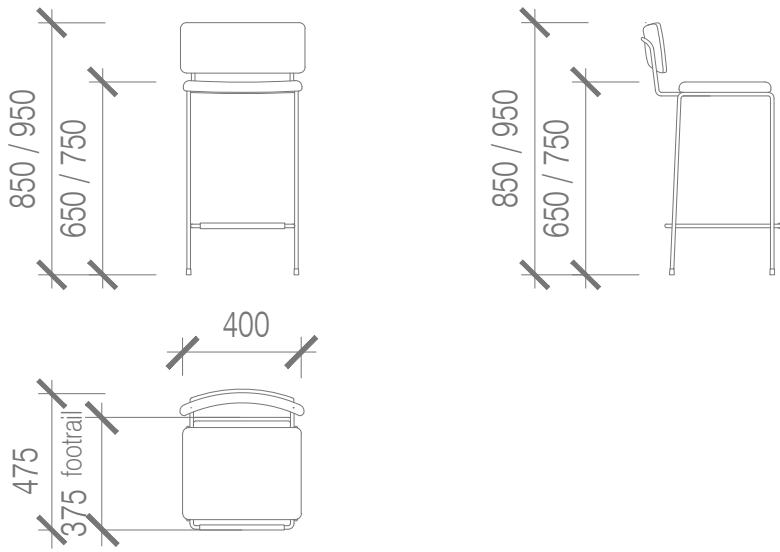
2 - outdoor no back



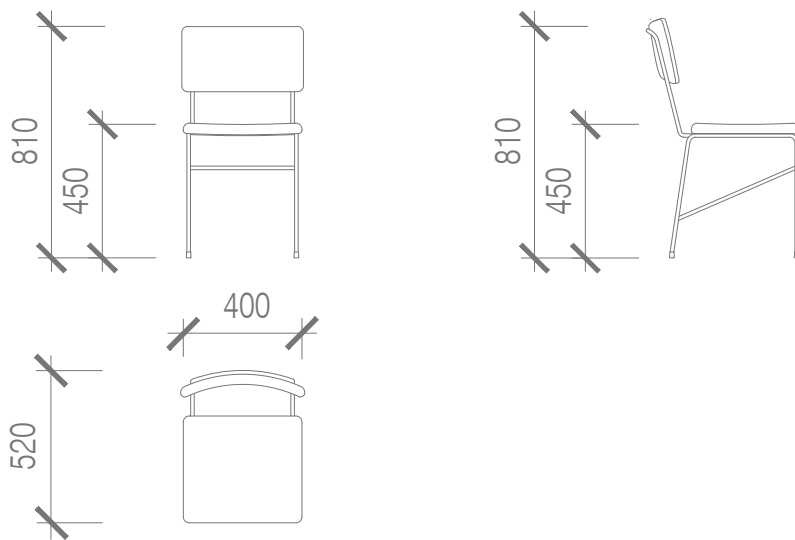
3 - outdoor open back



4 - outdoor upholstered back



5 - outdoor chair



design registration
junior
no.201615714

no back
no.201616493

open back
no.201616492

upholstered back
no.201616491

year released
2016

warranty

- i. warranty period of 1 year for the structural integrity of the furniture under "normal use"
- ii. general wear and tear or changes in appearance and performance resulting from being exposed to the elements are not warranted.
- iii. fabric that fades or breakdown due to exposure to sunlight, uv or moisture are not warranted

all terms outlined in this document are applicable exclusively to projects and orders that are based in australia. for warranty claims outside australia, please note that a 12 month warranty period will apply, all claims are to be taken up with the international selling agent. to view the full warranty please refer to the [grazia&co website](#).

craftmanship: designed and manufactured in australia

materials: seat and backrest - sealed ply with foam wrap using stainless steel staples, fully upholstered in specified fabric
frame - powder coated stainless steel with brass or stainless steel footrail and plastic caps to feet

lead time: 10-12 weeks. lead times may vary during peak periods

suitability: outdoor use



house vinyl care

maintaining and care of the upholstery should be done by regular vacuuming to remove dust and dirt. spot cleaning should be done immediately after a spill. acid based liquids such as coffee, wine and fruit juice need to be wiped off immediately. the longer a stain or spill remains on the fabric the more difficult it can be to remove. do not use abrasive alcohol based or solvent based cleaners. first spot clean with mild soap and water. using a sponge or very soft bristle brush to remove the stains, rinse with clean water.

custom specified upholstery

please refer to individual suppliers for information on care and maintenance of fabrics that have been specified by a designer, as these will be outside the standard grazia&co range. most interior upholstery fabric should be regularly vacuumed and kept away from direct sunlight.

powder coated items care

wash as required with warm soapy water using a soft clean cloth. for marine or commercial environments, we recommend regular cleaning. do not pressure wash or steam items that are powder coated. if powder coating chips due to a knock and / or rough treatment this is not covered by warranty. touch up paint can be purchased on request (depending on availability). scratches and chips should be repaired as soon as they appear.

to view the full care and maintenance please refer to the [grazia&co website](#).



australian
made



no direct
sunlight



do not dry
clean



do not
machine
wash



do not iron